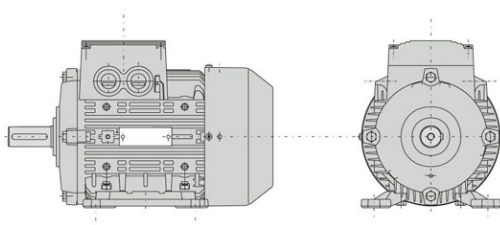
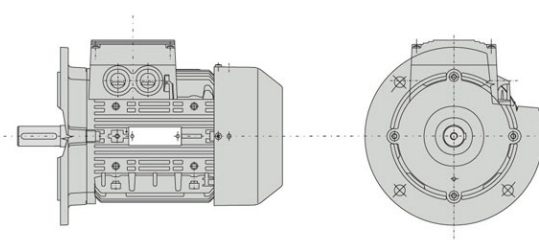


B3 - foot mounted motor



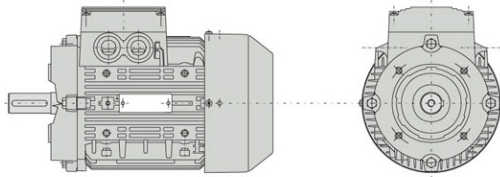
B5 - flange

The flange diameter is bigger than the motor frame diameter. The holes are not tapped. B5 flanges are available for all motor sizes.



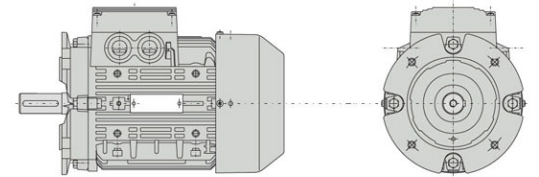
B14A - flange

The flange diameter is smaller than the motor frame diameter. The holes are tapped. Available for frame sizes 56 to 132 mm.



B14B - flange

The flange diameter is bigger than B14A but smaller than B5 flange. The holes are tapped. Available for frame sizes 56 to 112 mm.

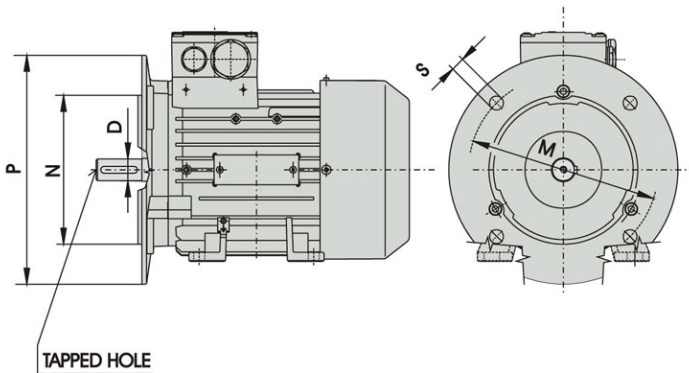


SIZE	Shaft		B5 FLANGE				B14A FLANGE				B14B FLANGE			
	Diameter D	Length E	PCD M	Spigot N	Diameter P	Hole Dia S	PCD M	Spigot N	Diameter P	Hole S	PCD M	Spigot N	Diameter P	Hole S
56 frame	9	20	100	80	120	7	65	50	80	M5	85	70	105	M6
63 frame	11	23	115	95	140	10	75	60	90	M5	100	80	120	M6
71 frame	14	30	130	110	160	10	85	70	105	M6	115	95	140	M8
80 frame	19	40	165	130	200	12	100	80	120	M6	130	110	160	M8
90 frame	24	50	165	130	200	12	115	95	140	M8	130	110	160	M8
100 frame	28	60	215	180	250	14.5	130	110	160	M8	165	130	200	M10
112 frame	28	60	215	180	250	14.5	130	110	160	M8	165	130	200	M10
132 frame	38	80	265	230	300	14.5	165	130	200	M10	--	--	--	--
160 frame	42	110	300	250	350	18.5	--	--	--	--	--	--	--	--
180 frame	48	110	300	250	350	18.5	--	--	--	--	--	--	--	--
200 frame	55	110	350	300	400	18.5	--	--	--	--	--	--	--	--

PCD - Pitch Circle Diameter

Quality Ball Bearings	
DE / NDE	
56 frame	6201 / 6201 2Z C3
63 frame	6201 / 6201 2Z C3
71 frame	6202 / 6202 2Z C3
80 frame	6004 / 6004 2Z C3
90 frame	6205 / 6004 2Z C3
100 frame	6206 / 6205 2Z C3
112 frame	6206 / 6205 2Z C3
132 frame	6208 / 6208 2Z C3
160 frame	6209 / 6209 2Z C3

Shaft Size & Tapped Hole	
56 frame	shaft \varnothing 9mm -M3x9mm
63 frame	shaft \varnothing 11mm -M4x13mm
71 frame	shaft \varnothing 14mm -M5x12.5mm
80 frame	shaft \varnothing 19mm -M6x16mm
90 frame	shaft \varnothing 24mm -M8x19mm
100 frame	shaft \varnothing 28mm -M10x22mm
112 frame	shaft \varnothing 28mm -M10x22mm
132 frame	shaft \varnothing 38mm -M12x28mm
160 frame	shaft \varnothing 42mm -M16x36mm



D shaft diameter
 P flange diameter
 M ... PCD (pitch circle diameter)
 N spigot diameter
 S hole in flange